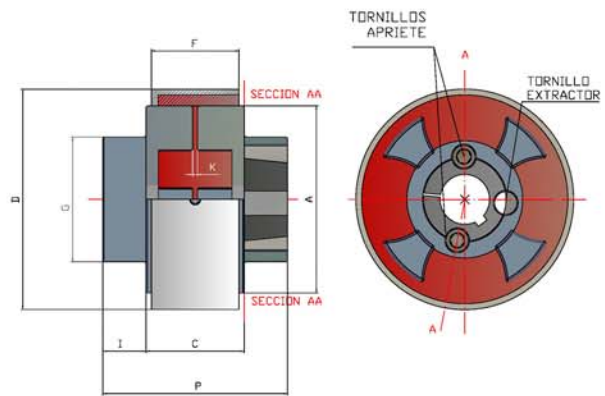
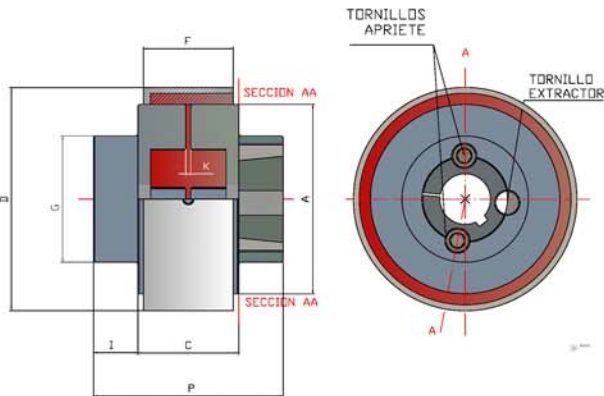


## TIPO-TYPE TC

## TIPO-TYPE TCI



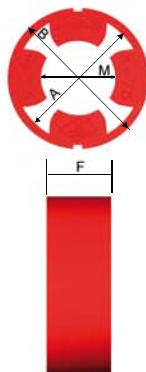
STEEL-ACIER-ACERO

| TIPO<br>TYPE         | ACOPLAMIENTO / COUPLING / ACCOUPLEMENT |                                                                                                                                                           |                 |     |     |      |     |      |     |    |     | TAPER LOCK / TAPER BUSH   |                              |                                                             |                             |
|----------------------|----------------------------------------|-----------------------------------------------------------------------------------------------------------------------------------------------------------|-----------------|-----|-----|------|-----|------|-----|----|-----|---------------------------|------------------------------|-------------------------------------------------------------|-----------------------------|
|                      | ESTRELLA<br>SPIDER<br>BAGUE            | PAR<br>TORQUE<br>Kg.m                                                                                                                                     | MÁX<br>B.P.M.L. | A   | P   | C    | G   | I    | D   | F  | K   | TAPER LOCK/<br>TAPER BUSH | Long./<br>Lenght/<br>Longeur | Ejes disponibles /Available bores<br>/Alesages disponibles  | Prisioneros<br>Screw<br>Vis |
| X TC-75 X<br>TCI-75  | X-75                                   | VER INFORMACION EN TABLA DE ESTRELLAS<br>SEE INFORMATION IN TABLE OF SPIDERS BELOW<br>VERIFIER LES INFORMATIONS CONTENUES DANS LE TABLE<br>DES BAGUES BAS | 6.000           | 75  | 64  | 45   | 52  | 18,5 | 92  | 35 | 2   | 1108                      | 22,5                         | 11-12-14-15-16-17-18-19-20-21-22-24-25-28                   | 1/4                         |
| X TC-90<br>XTCI-90   | X-90                                   |                                                                                                                                                           | 5.000           | 90  | 74  | 54   | 64  | 21   | 108 | 43 | 2   | 1210                      | 25,5                         | 12-14-15-16-17-18-19-20-21-22-24-25-28-30-32                | 3/8                         |
| X TC-105<br>XTCI-105 | X-105                                  |                                                                                                                                                           | 4.800           | 105 | 75  | 59   | 75  | 19,5 | 125 | 45 | 2   | 1610                      | 25,5                         | 14-15-16-17-18-19-20-21-22-24-25-28-30-32-35-38-40-42       | 3/8                         |
| X TC-120<br>XTCI-120 | X-120                                  |                                                                                                                                                           | 4.000           | 120 | 87  | 61   | 89  | 24,5 | 142 | 45 | 2   | 2012                      | 32                           | 15-16-17-18-19-20-21-22-24-25-28-30-32-35-38-40-42-45-48-50 | 7/16                        |
| X TC-150<br>XTCI-150 | X-150                                  |                                                                                                                                                           | 3.500           | 150 | 120 | 82,5 | 110 | 34   | 175 | 60 | 2,5 | 2517                      | 45                           | 19-20-21-22-24-25-28-30-32-35-38-40-42-45-48-50-55-60-65    | 1/2                         |



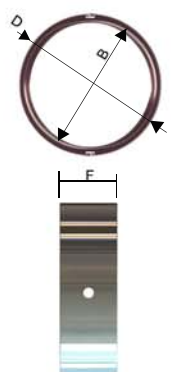
### ESTRELLA SPIDER BAGUE X

| ESTRELLA<br>SPIDER<br>BAGUE | A  | B   | M  | F    |
|-----------------------------|----|-----|----|------|
| X50                         | 50 | 57  | 28 | 21   |
| X60                         | 50 | 69  | 34 | 29   |
| X75                         | 60 | 86  | 45 | 33,5 |
| X90                         | 60 | 102 | 50 | 41,5 |
| X105                        | 60 | 118 | 60 | 43,5 |
| X120                        | 75 | 135 | 65 | 43,5 |
| X135                        | 75 | 151 | 74 | 52   |
| X150                        | 75 | 167 | 82 | 58   |



### ANILLO RING ANNUE X

| ANILLO<br>RING<br>ANNUE | D   | B   | F  | PRISIONEROS<br>SCREW<br>VIS |
|-------------------------|-----|-----|----|-----------------------------|
| X50                     | 62  | 57  | 22 | 2 M-5                       |
| X60                     | 74  | 69  | 30 | 2 M-5                       |
| X75                     | 92  | 86  | 35 | 2 M-6                       |
| X90                     | 108 | 102 | 43 | 2 M-6                       |
| X105                    | 125 | 118 | 45 | 2 M-8                       |
| X120                    | 142 | 135 | 45 | 2 M-8                       |
| X135                    | 159 | 151 | 54 | 2 M-8                       |
| X150                    | 175 | 167 | 60 | 2 M-8                       |



ATEX

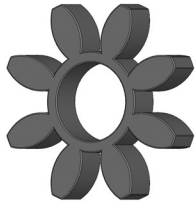


CERTIFICADO ATEX IM2 , IIGD2  
ATEX CERTIFICES IM2 , IIGD2  
CERTIFICATS ATEX IM2 , IIGD2

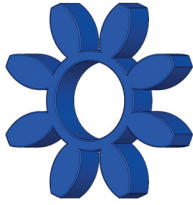
LOS ACOPLAMIENTOS ALBERT ESTÁN CERTIFICADOS CONFORME A  
ALBERT COUPLING ARE CERTIFIED IN ACCORDANCE WITH  
LA ACCOUPLEMENTS ALBERT SONT CERTIFIÉS CONFORMES À  
FABRICACION DE ACOPLAMIENTOS ELÁSTICOS SIN SOLDADURA PARA TRANSMISIÓN DE POTENCIA



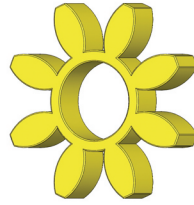
# ESTRELLA - SPIDER - BAGUE



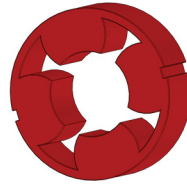
NBR  
85°ShA



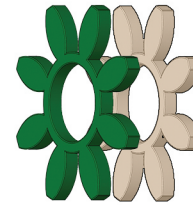
NBR  
85-90°ShA



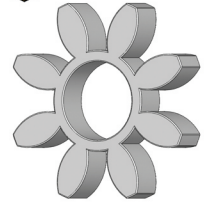
Polyurethane  
93°ShA



Polyurethane  
93°ShA



Polyurethane  
98°ShA



Polyurethane  
64°ShD\*

## CARACTERÍSTICAS-CHARACTERISTICS-CARACTÉRISTIQUES

| TIPO TYPE                                                                                | NBR                                                              | NBR                                                                | POLIURETANO<br>POLYURETHANE | POLIURETANO<br>POLYURETHANE                                                         | POLIURETANO<br>POLYURETHANE                                                                  | POLIURETANO<br>POLYURETHANE                     |
|------------------------------------------------------------------------------------------|------------------------------------------------------------------|--------------------------------------------------------------------|-----------------------------|-------------------------------------------------------------------------------------|----------------------------------------------------------------------------------------------|-------------------------------------------------|
| USO<br>USE<br>UTILISATION                                                                | ALTA<br>ELASTICIDAD<br>HIGH<br>ELASTICITY<br>HAUTE<br>ELASTICITÉ | ALTA<br>TEMPERATURA<br>HIGH<br>TEMPERATURE<br>HAUTE<br>TEMPÉRATURE | ESTÁNDAR<br>STANDARD        | VULKOLLAN<br>MONTAJE<br>EXTERIOR<br>EXTERIOR<br>MOUNTING<br>EXTÉRIEUR DE<br>MONTAGE | VULKOLLAN<br>ALTA<br>TRANSMISION<br>DE PAR<br>HIGH<br>TRANSMISSION<br>TORQUE<br>HAUTE TORQUE | ALTA RIGIDEZ<br>HIGH RIGIDITY<br>HAUTE RIGIDITÉ |
| COLOR<br>COLOUR<br>COULEUR                                                               | NEGRO<br>BLACK<br>NOIR                                           | AZUL<br>BLUE<br>BLEU                                               | AMARILLA<br>YELLOW<br>JAUNE | ROJA<br>RED<br>ROUGE                                                                | VERDE<br>GREEN<br>VERT<br>BLANCA<br>WHITE<br>BLANC                                           | BLANCA<br>WHITE<br>BLANC                        |
| DUREZA<br>HARDNESS<br>DURETÉ                                                             | 85 °Sh A                                                         | 85 °/90°SH A                                                       | 93 °Sh A                    | 93 °Sh A                                                                            | 98 °Sh A                                                                                     | 64 °Sh D                                        |
| TEMPERATURA<br>TRABAJO /<br>WORKING<br>TEMPERATURE /<br>TEMPÉRATURE DE<br>FONCTIONNEMENT | - 20°C<br>+ 85°C                                                 | - 20°C<br>+135°C                                                   | - 20°C<br>+ 85°C            | - 20°C<br>+ 85°C                                                                    | - 20°C<br>+ 85°C                                                                             | - 20°C<br>+ 85°C                                |

| TIPO TYPE | PAR TRABAJO / WORKING TORQUE / TORQUE DE FONCTIONNEMENT |     |      |     |       |       |
|-----------|---------------------------------------------------------|-----|------|-----|-------|-------|
| 50X10     | -                                                       | 1,2 | 1,2  | 2   | 2     | 2,5   |
| 60X14     | -                                                       | 3,5 | 3,5  | 5   | 6     | 7,3   |
| 75X16     | 7,2                                                     | 8   | 8    | 12  | 13,6  | 16,8  |
| 75X23     | 11                                                      | -   | -    | -   | -     | -     |
| 90X20     | 14,4                                                    | 16  | 16   | 24  | 27,2  | 33,6  |
| 105X20    | 24,3                                                    | 27  | 27   | 40  | 45,9  | 56,7  |
| 120X20    | 36                                                      | 40  | 40   | 60  | 68    | 84    |
| 135X25    | 58,5                                                    | 65  | 65   | 90  | 110,5 | 136,5 |
| 150X28    | 81                                                      | 90  | 90   | 135 | 153   | 189   |
| 175X32    | 121,5                                                   | 135 | 135  | -   | 202,5 | 283,5 |
| 200X35    | 171                                                     | 190 | 190  | -   | 285   | 380   |
| 200X40    | -                                                       | 305 | 305  | -   | 381   | -     |
| 245X40    | -                                                       | -   | 489  | -   | 611   | -     |
| 300X50    | -                                                       | -   | 790  | -   | 1000  | -     |
| 350X55    | -                                                       | -   | 1200 | -   | 1500  | -     |
| 445x40    | -                                                       | -   | 2000 | -   | 2500  | -     |

ATEX



CERTIFICADO ATEX IM2 , IIGD2  
ATEX CERTIFICATES IM2 , IIGD2  
CERTIFICATS ATEX IM2 , IIGD2

LOS ACOPLAMIENTOS ALBERT ESTÁN CERTIFICADOS CONFORME A  
ALBERT COUPLING ARE CERTIFIED IN ACCORDANCE WITH  
LA ACCOUPLEMENTS ALBERT SONT CERTIFIÉS CONFORMES À  
FABRICACION DE ACOPLAMIENTOS ELÁSTICOS SIN SOLDADURA PARA TRANSMISIÓN DE POTENCIA

ISO 9001

BUREAU VERITAS  
Certification

ESPM0003187

